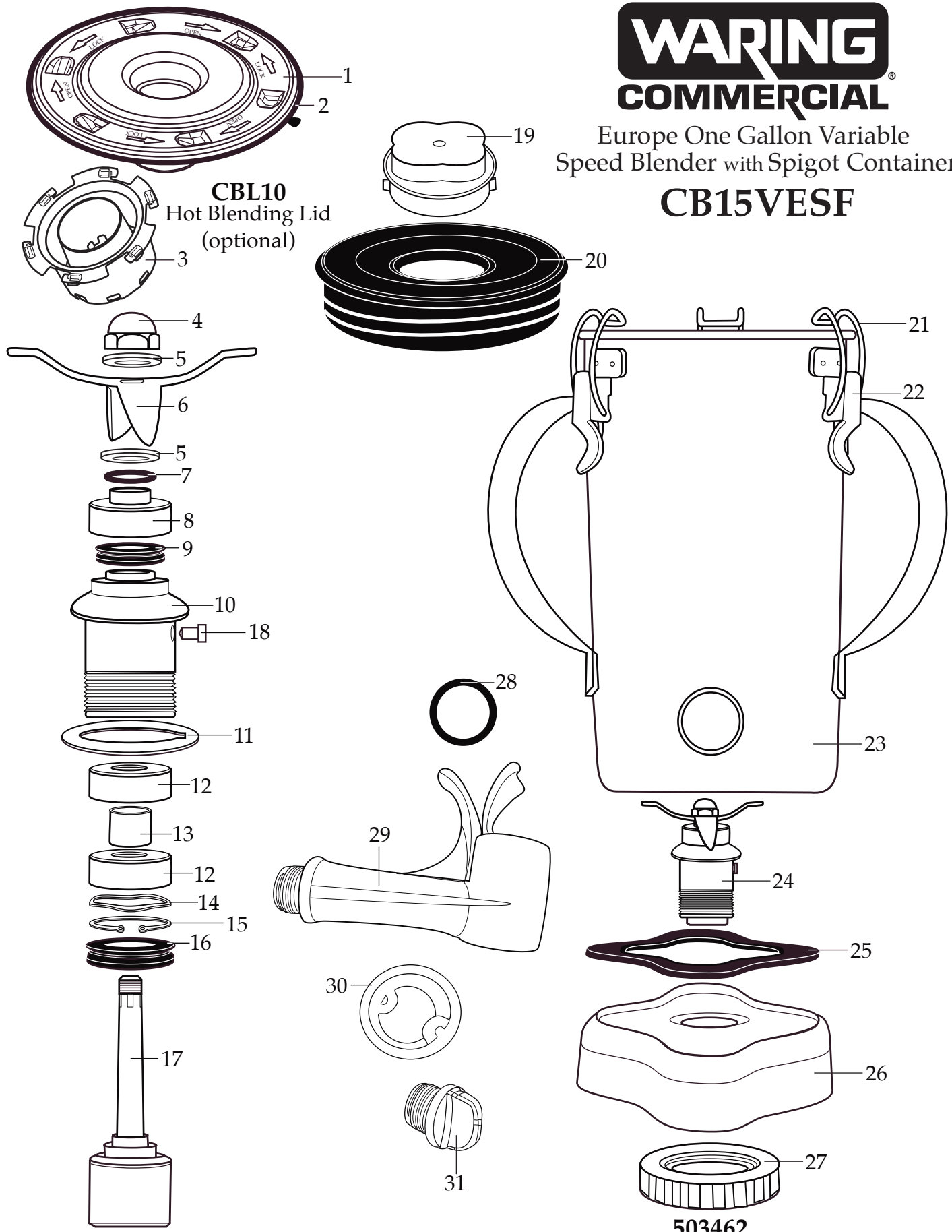




Europe One Gallon Variable Speed Blender with Spigot Container

CB15VESF



CBL10
Hot Blending Lid
(optional)

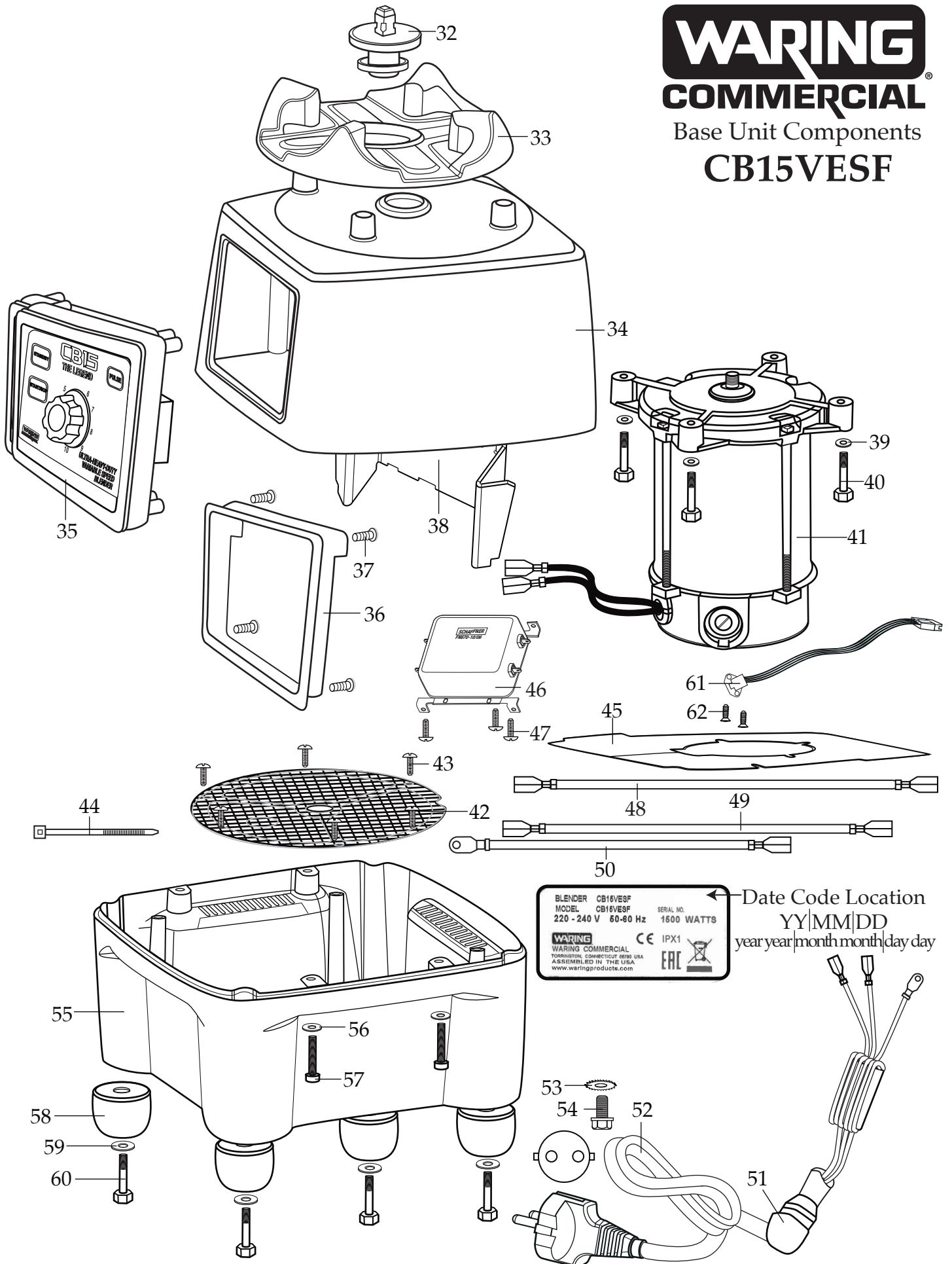
502977

503462

Container with Guard, Blending Assembly and Spigot

WARING COMMERCIAL

Base Unit Components
CB15VESF



Illustration#	Part#	Description
1	024000	Hot Blending Outer Lid
2	026496	Gasket for plastic outer lid
3	023998	Hot Blending Lid Baffle Cup
4	002972	Cap Nut
5	027581	Flat Washer (2 required)
6	027683	Blade
7	018389	"O" Ring
8	027582	Bearing Cap
9	018390	Small "V" Ring
10	023934	Bearing Holder
11	004946	Washer
12	018386	Bearing (2 required)
13	023926	Spacer
14	023907	Spring Washer
15	023927	Retaining Ring
16	023906	Large "V" Ring
17	023933	Drive Shaft
18	025817	Key
19	028530	Cover Insert
20	028226	Outer Lid
21	008791	Latch Wire (3 required)
22	502773	Bracket Assembly (spot welded to container 3 required)
23	503461	Spigot Container with Guard & Adapter Assembly
24	502977	Blending Assembly (complete)
25	004949	Container Base Gasket
26	025571	Container Support
27	012008	Lock Nut
28	034026	"O" Ring
29	033965	Spigot Assembly
30	034320	Spigot Rubber Insert

Illustration#	Part#	Description
31	034016	Spigot Plug
32	503328	Coupling
33	025871	Jar Pad
34	032380	Top Housing
35	503528 035421	Control Panel Relabeled Control Panel
36	029888	Rear Control Panel
37	026497	Screw (4 required)
38	030453	Control Panel Baffle
39	002984	Washer (4 required)
40	016691	Hex Bolt (4 required)
41	035521 029876	Leili Motor (<i>on units after 12/14/2018</i>) ECM Motor w / MTP 230 volt
42	018791	Screen
43	026500	Screw (6 required)
44	013731	Cable Tie (4 required)
45	026318	Baffle
46	503417 503405	Filter Bracket Assembly (<i>on units after 1/11/2018</i>) Filter & Bracket Assembly
47	026500	Screw (3 required)
48	502950	12.5" Brown Lead Assembly
49	502951	11" Blue Lead Assembly
50	502952	9" Green-Yellow Ground Lead Assembly
51	032378	Strain Relief
52	503406	Cordset/Ferrite Core Assmby
53	002943	Gound Washer (2 required)
54	027278	Ground Screw (2 required)
55	026317	Bottom Housing
56	002984	Washer (4 required)
57	026412	Screw (4 required)
58	026296	Foot (4 required)
59	018314	Washer (4 required)

Illustration#	Part#	Description
60	026493	Screw (4 required)
61	030187	Hall Effect Sensor (comes with 029876)
62	030405	Screw (2 required comes with 029876)

